

American Baking Systems Bun and Roll Divider Rounder

Specifications Sheet

Models: ABSBRD-36-3 and ABSBRD-36-4
ABSBRD-30-3 and ABSBRD-30-4

Model: **ABSBRD-36-3**

Scaling Range: 7/8—3.0 oz.

Model: **ABSBRD-36-4**

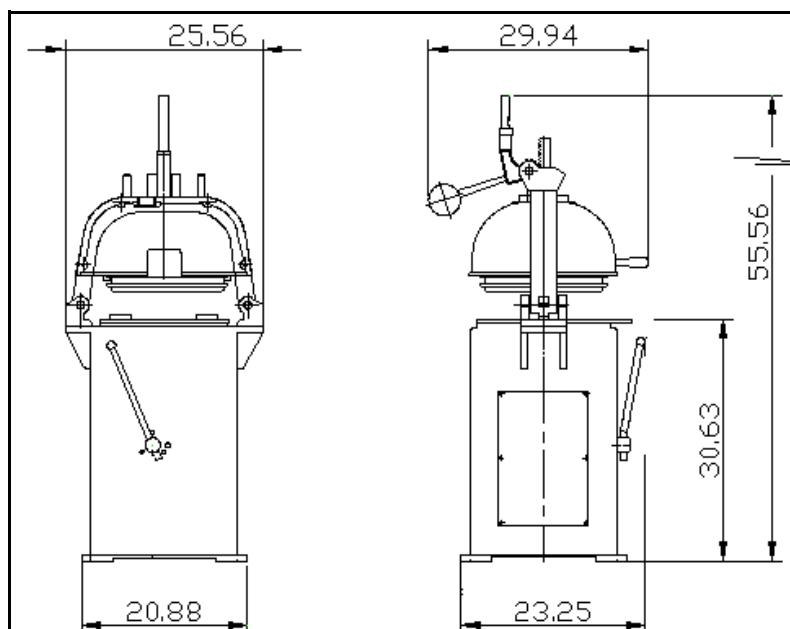
Scaling Range: 1.5—4.0 oz.

Model: **ABSBRD-30-3**

Scaling Range: 1.0—3.5 oz.

Model: **ABSBRD-30-4**

Scaling Range: 1.4—4.2 oz.



Electrical: 208/220 Volt 3 Phase 60 Hz 4 Amps Standard. Supplied with twist lock plug (P & S L1520P). Recommend a 10 amp slow blow breaker. Other voltages and phases available upon request.

Spacing: 10-inches from wall to back of machine (clearance of the counterweight), 12-inches from either side or tilting and servicing head.

Features: Cast iron construction on base and all support structures. Cast dividing disks (Aluminum and Steel dependent on model) with stainless steel knives . The 36-4 has a removable head for easy cleaning and service, and can be washed in the pan washer. All models shipped with three moulding plates.

Shipping: Weight: 980 Pounds, Class: 85 Dimensions: 32 w x 36 d x 56 h. Fully crated.

Notes

- All Dimensions are in inches and are approximate.
- Specifications are subject to change without notice.



Meets UL 763 and NSF-8 Standards

Distributed By:



AMERICAN BAKING SYSTEMS, INC.
290 LEGION COURT S.W.
CEDAR RAPIDS, IA 52404
Phone: 319-373-5006
Fax: 319-373-5008
Email: INFO@ABS1.NET