

# American Baking Systems

# Planetary Mixer

## Specifications Sheet

**Model: ABSPMS-60L**

### RPM's:

1st Speed : 165

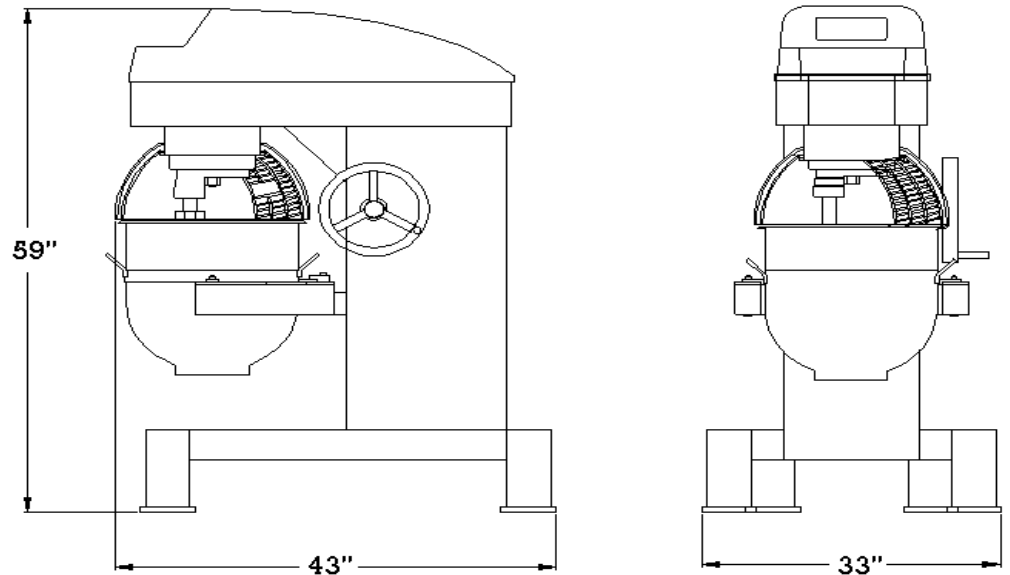
10th Speed : 450

### Capacities:

Liquid: 60 Quarts

Flour: 37.8 Pounds

Optional: 30 Quart attachments



Electrical: 208/220 Volt 3 Phase 60 Hz 12 Amps 4 HP. Supplied with twist-lock plug. Recommend a 20 Amp slow-blow breaker. Plug: NEMA L15-20 P

Spacing: 12" from wall in rear. Access to remaining sides for operation, right side for bowl lock crank allow at least 20 inches.

Features: Stainless steel bowl, whip, dough hook, paddle and pour spout. Digital Control Panel with 10-speeds and shift on-the-fly - Timed and untimed operation.

Shipping: Weight: 1,100 pounds, Freight class: 85. Fully crated dims: 50" D x 36" W x 65" H

## Notes

- All Dimensions are in inches and are approximate.
- Specifications are subject to change without notice.



Meets UL 763 and NSF-8 Standards

Distributed by:



AMERICAN BAKING SYSTEMS, INC.  
290 LEGION COURT S.W.  
CEDAR RAPIDS, IA 52404  
Phone: 319-373-5006  
Fax: 319-373-5008  
Email: INFO@ABS1.NET  
WEB: www.abs1.net