

# Reversible Dough Sheeter

Models  
ABSRDS - 10/24  
ABSRDS - 8.5/24  
ABSRDS - 8.5/20



American Baking Systems offers this line of dough sheeters  
for both retail and in-store bakery applications.

*Bakery Equipment • Consulting, Design & Manufacturing*



3780 4th Ave., Bldg. A • P.O. Box 643  
Marion, Iowa 52302  
Phone: (319) 373-5006  
Fax: (319) 373-5008

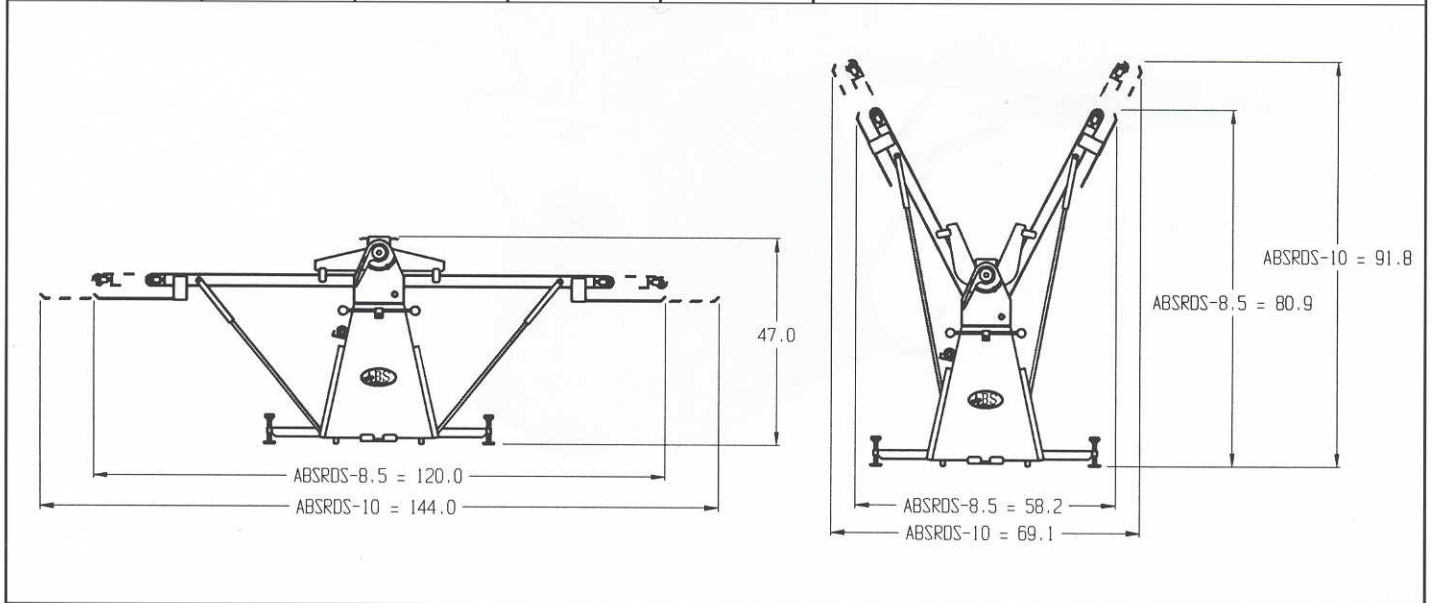


# Features

- Infinitely adjustable roller system
- 24" wide belts/20" wide belts
- Safety roller guards
- Dough catch pull-out tables on both ends
- Fold-up tables for easy storage
- Foot pedal controls for forward and reverse
- Flour dusting tray
- Heavy duty motor

# Specifications

Model	Belt Width	Volts	Phase	Hertz	Amps	H.P.
ABSRDS-10/24	24"	208/220	3	60	10	1
ABSRDS-8.5/24	24"	208/220	3	60	10	1
ABSRDS-8.5/20	20"	208/220	3	60	10	1
	<b>Dimensions (in.)</b>				<b>Shipping Specifications-ALL Models</b>	
	Width	Height	Length Open	Length Folded	60" W	
ABSRDS-10/24	44"	46"	12'	84"	43" D	
ABSRDS-8.5/24	44"	46"	10'	76"	56" H	
ABSRDS-8.5/20	40"	46"	10'	76"	800 lbs.	



# Notes

- Machine supplied on casters
- Supplied with 8 foot, 4-wire power cord
- MET listed
- BISSC certified



AMERICAN BAKING SYSTEMS, INC.  
 3780 4th Ave., Bldg. A • P.O. Box 643  
 Marion, Iowa 52302  
 Phone: (319) 373-5006 Fax: (319) 373-5008



Authorized Dealer: