

Planetary Mixer

50-Quart

Three-Speed Gear Driven ABSPMS-500CH



American Baking Systems offers a Three-Speed, High-torque, Gear-driven Planetary Mixer, which is designed for Bakeries, Supermarkets, and Restaurants.

- *Bakery Equipment*
- *Consulting*
- *Design*



AMERICAN BAKING SYSTEMS, INC.
290 LEGION COURT S.W.
CEDAR RAPIDS, IA 52404
Phone: 319-373-5006
Fax: 319-373-5008
Email: INFO@ABS1.NET

Features

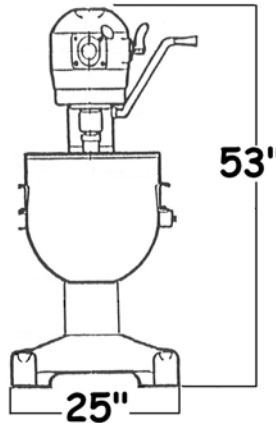
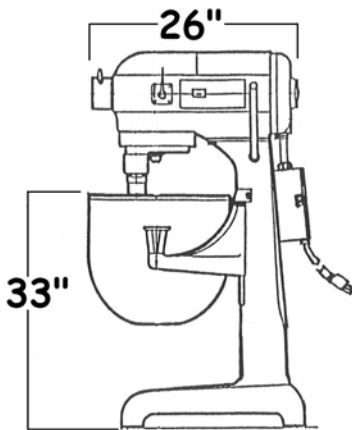
- Solid cast steel construction
- Three Speeds with clutch
- Full bowl cover for safety
- Batter Capacity: 50 lbs
- Icing Capacity: 50 lbs
- Not Recommended for DOUGH
- Stainless steel bowl, wire whip and paddle
- Stainless steel pour spout.
- Attachment hub standard.
- ETL meets UL 763 standards
- ETL–Sanitation meets NSF 8 standards

Specifications

(Speed)	FIRST	SECOND	THIRD
(RPM)	107	190	366

Electrical Specifications

VOLTS	PHASE	Hz	AMPS	kW	HP
208/220	3	60	10	1.2	1



Dimensions: 53" High x 26" Deep x 25" Wide

Weight of Mixer: 425 pounds.

NOTES:

- Supplied with 6-foot cord with Grounding plug
- 500CH machine is supplied with bowl, hook, paddle, and whip
- Shipping Weight: 515 Pounds, Freight class 85
- All dimensions are in inches and are approximate.
- Specifications are subject to change without notice.



Distributed by:



AMERICAN BAKING SYSTEMS, INC.
 290 LEGION COURT S.W.
 CEDAR RAPIDS, IA 52404
 Phone: 319-373-5006
 Fax: 319-373-5008
 Email: INFO@ABS1.NET