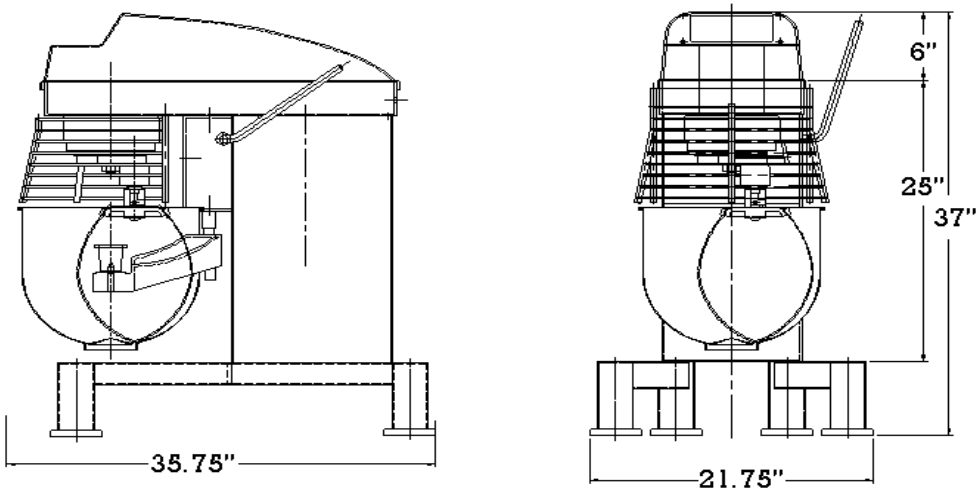


American Baking Systems

Planetary Mixer

Specifications Sheet

Model: ABSPMS-20L

<p><u>RPM's:</u></p> <p>1st Speed : 181 ┌ ┐ └ ┘ 10th Speed : 508</p> <p><u>Capacities:</u></p> <p>Liquid: 20 Quarts Flour: 12.5 Pounds</p> <p><u>Optional:</u> 10 Quart attachments</p>	
---	--

Electrical: 115 Volt 1 Phase 60 Hz 12 Amps 1.5 HP. Supplied with grounding plug.
Recommend a 20 Amp slow blow breaker.

Spacing: Can be mounted on an optional cart and is small enough to be moved for service.

Features: Stainless steel bowl, whip, dough hook, and pour spout. Aluminum paddle.
Digital control panel with 10-speeds and shift on-the-fly. Timed and untimed operation possible.

Shipping: Weight: 300 pounds, Freight class: 85. Fully crated dims: 35" D x 30" W x 40" H

Notes

- All Dimensions are in inches and are approximate.
- Specifications are subject to change without notice.



Meets UL 763 and NSF-8 Standards

Distributed by:



AMERICAN BAKING SYSTEMS, INC.
290 LEGION COURT S.W.
CEDAR RAPIDS, IA 52404
Phone: 319-373-5006
Fax: 319-373-5008
Email: INFO@ABS1.NET
WEB: www.abs1.net