

Long Bread Moulder

Model: ABSLBM-20

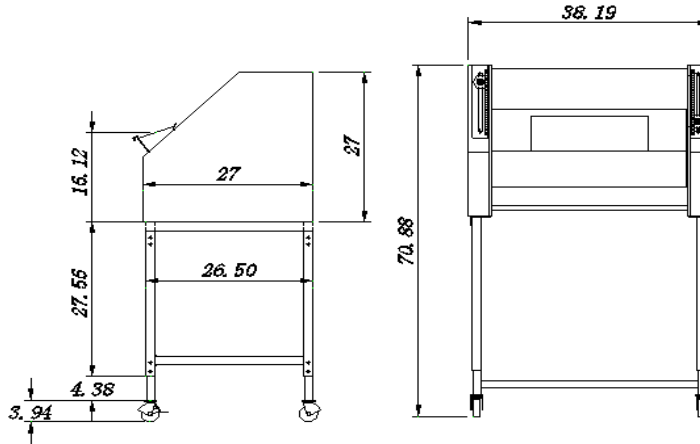


American Baking Systems offers a Long Bread Moulder that is perfect for baguettes, breadsticks, pan breads and more.

- *Bakery Equipment*
- *Consulting*
- *Design*



AMERICAN BAKING SYSTEMS, INC.
290 LEGION COURT S.W.
CEDAR RAPIDS, IA 52404
Phone: 319-373-5006
Fax: 319-373-5008
Email: INFO@ABS1.NET



Electrical: 208/220 Volt 3 Phase 60 Hz 8 Amps. Supplied with Twist-Lock plug # L15-20P

Spacing: MUST allow access to feed and discharge areas, however only enough room is needed at the sides and rear of the machine to allow the machine to roll in and out of work area for cleaning of floor.

Features: Full Stainless Steel construction, Stainless Steel stand on casters, Full Synthetic belts.

Shipping: Weight: 1,000 pounds, Freight class: 85. Fully crated dims: 45" D x 50" W x 40" H

Notes

- All Dimensions are in inches and are approximate.
- Specifications are subject to change without notice.



Meets UL 763 and NSF-8 Standards

Distributed By:



AMERICAN BAKING SYSTEMS, INC.
290 LEGION COURT S.W.
CEDAR RAPIDS, IA 52404
Phone: 319-373-5006
Fax: 319-373-5008
Email: INFO@ABS1.NET