



ABSMRO-1E

Rotary Rack Oven— Electric Single Rack

Shown with optional
**SMART Controller
Technology**



FEATURES & BENEFITS

- A joint venture between Macadams and ABS to bring a high quality rack oven to the USA with industrial baking qualities at a reasonable cost.
- Available SMART Controller Technology with intuitive controls.
- Rack Lift System without use of troublesome linear actuator.
- Energy saving counterflow heat exchanger.
- Single penetration canopy available—eliminates second roof penetration while increasing oven and HVAC efficiencies.
- High grade stainless steel construction throughout.
- Easily serviced Blue Angel burner standard on US models.
- Robust design for long life even in the most demanding locations.

Offered exclusively by:

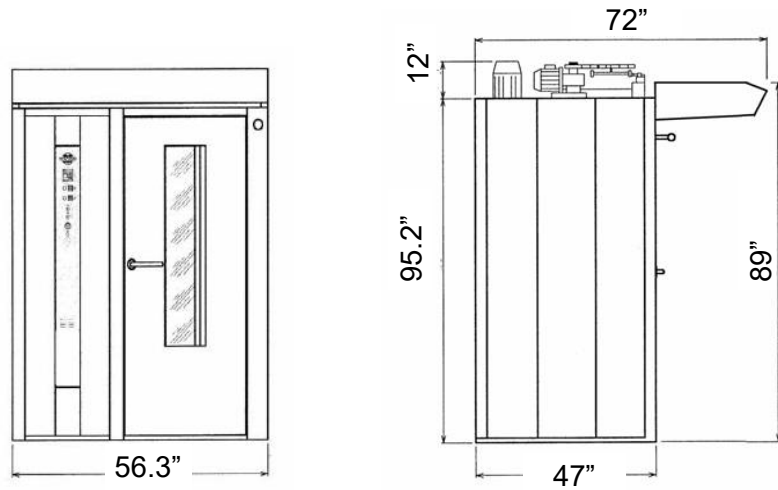
American Baking Systems, Inc.
290 Legion Court S.W.
Cedar Rapids, IA 52404
PH: 319-373-5006
Contact: info@abs1.net
Website: www.abs1.net



Technical Specs

ELECTIC ROTARY RACK OVEN	
Power Rating (kW)	Electrical : 42 kW + 1.3 kW Electrical controls
Supply Voltage	220 V, 60 Hz 3 phase, neutral & earth. Other voltages available on request.
Control Voltage (V)	110 V / 24 DC
Current Rating at 208V	Electrical: 90 A
Product: Standard Bread: 22 - 34 ounces Rolls: 2.1 ounce (6 x 5 / tray) Baguettes: 18 ounce (5 fluted trays) Pies (foil): 3.6 ounce (4 x 5 / tray)	Capacity 80 loaves per bake (20 x B04) 100 loaves per bake (20 x B05) 36 dozen per bake 90 per bake 36 dozen per bake
Capacity	18 x (18 x 26) inch
Weight (pounds)	Electrical : 2,310 lbs Fuel : 2,420 lbs
Dimensions (inches)	56.3" (w) x 47"(d) x 95.2"(h) inches

*Oven dimensions in mm: Excludes all protrusions (door handles, drain exits, etc). Allow an additional 7 inches for protrusions.



Dimensions shown with standard canopy.

America Baking Systems

Single Rack Oven **ABSMDO-1E**

